

Additional information

Product description.....H-01
 At a glance..... H-01
 Customer benefits..... H-01
 Specificaiton..... H-02
 Model Definition..... H-02
 Model Definition..... H-03
 Dimensional Drawing..... H-04
 Dimensional Drawing..... H-05
 Dimensional Drawing..... H-06
 Dimensional Drawing..... H-07
 Dimensional Drawing..... H-08
 Dimensional Drawing..... H-09
 Dimensional Drawing..... H-10

Product description

HSM220 series(AC 220V) servo motors have various series of frame size: 60mm,80mm,90mm, 110mm,130mm,150mm and 180mm; four series of rated speed: 1500rpm,2000rpm,2500rpm and 3000rpm. Motors are equipped with standard 2500P/R incremental encoder. With selection of high temperature resistance, high energy density permanent magnetic material and optimal design of the electromagnetic parameters HSM220 servo motor can maintain a good working condition and fast response in whole product life cycle.

HNC Electric provides customized solutions based on any specified requirements from customers, e.g.:Rated torque, rated speed, maximum speed, dimension, plug connection & encoders etc.

At a glance

- Compact architecture and high power density
- Middle rotor inertia and rapid response
- Super high coercivity rare earth permanent magnet
- Overheat protection capability(need temperature sensor integrated)
- Strong anti-demagnetization capability
- Various frame installation size
- Full-closed design in IP65

Customer benefits

- Ultra energy saving
- High response and accuracy
- Low noise & low temperature rise
- High reliability makes less maintenance work
- Low rotor inertia, which improves system rapidity(more option for rotor inertia can be customized)

www.hncelectric.com/hsm220

For more information, please enter the link or scan the code via mobile devices and get direct access to technical date,manual,application examples and much more.

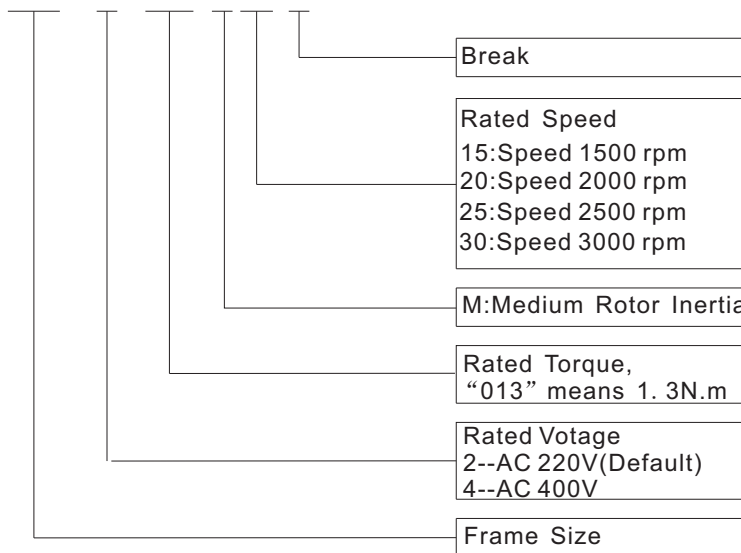


Specification

Items	Description
Rated Voltage	220V
Encoder Line Number (PPR)	2500
Insulation Class	ClassB
Enclosure rating	IP 65
Ambient operating temperature	-20°C~+50°C
Ambient operating humidity	Below 90% RH No dewing
Thermal protection	optional
Cooling method	air cooling

Model Definition

S60 - 2 - 013 M 30 B

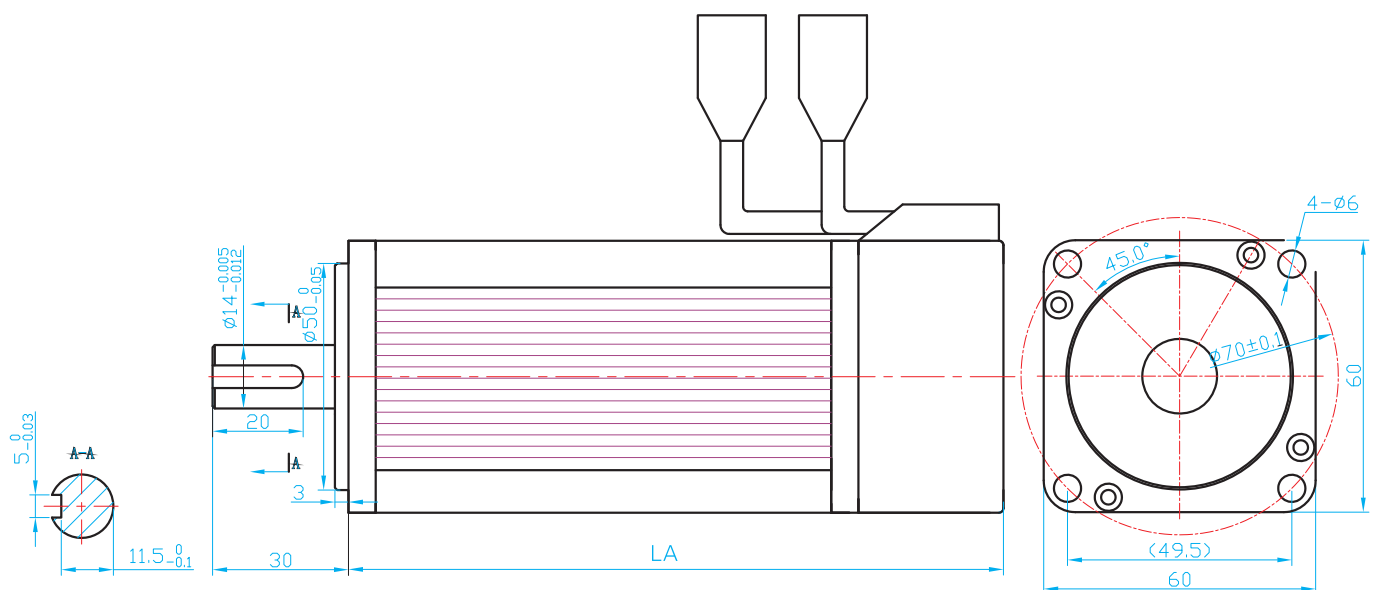


Model	Rated torque N·m	Max torque N·m	Rated Speed rpm	Max Speed rpm	Rated power kW	Rated voltage Vac	Rated current A	Rotor inertia kg.cm ²	Pole pair	Weight kg	Length mm
Flame size 60											
S60-2-006M30	0.637	1.911	3000	—	0.2	220	1.5	0.17*10 ⁻⁴	4	1.5	1.6
S60-2-013M30	1.27	3.8	3000	—	0.4	220	2.8	0.302*10 ⁻⁴	4	1.9	131
S60-2-019M30	1.91	5.73	3000	—	0.6	220	3.5	0.438*10 ⁻⁴	4	2.2	154
Flame size 80											
S80-2-013M30	1.3	3.9	3000	—	0.4	220	2.6	0.74*10 ⁻⁴	4	2.4	135
S80-2-024M30	2.4	7.2	3000	—	0.75	220	4.2	1.2*10 ⁻⁴	4	3.2	160
S80-2-033M30	3.3	9.9	3000	—	1	220	4.5	1.58*10 ⁻⁴	4	3.9	181
Flame size 90											
S90-2-024M30	2.4	7.2	3000	—	0.75	220	3	2.45*10 ⁻⁴	4	3.4	152

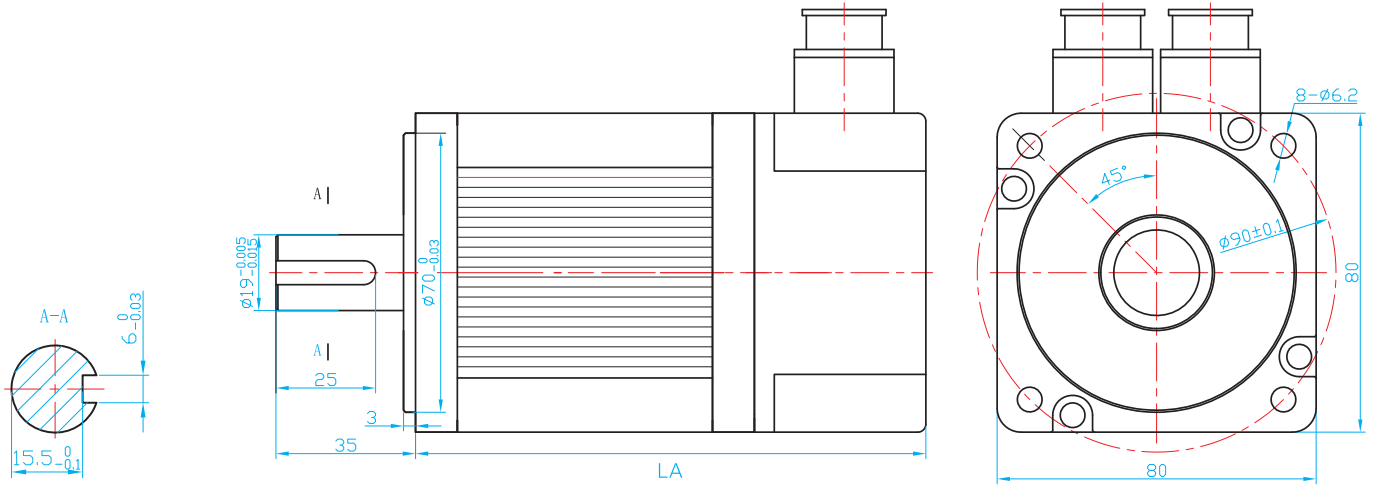
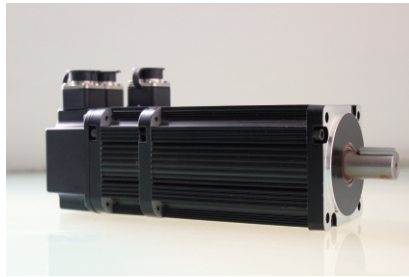
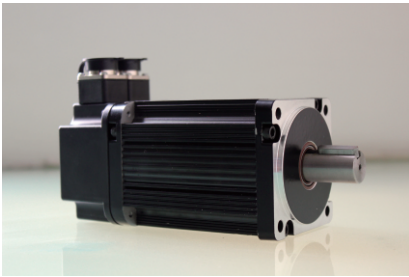
Model	Rated torque N·m	Max torque N·m	Rated Speed rpm	Max Speed rpm	Rated power kW	Rated voltage Vac	Rated current A	Rotor inertia kg.cm ²	Pole pair	Weight kg	Length mm
S90-2-035M20	3.5	10.5	2000		0.73	220	4.2	3.4*10 ⁻⁴	4	4.2	175
S90-2-040M25	4	12	2500		1	220	4.5	3.7*10 ⁻⁴	4	4.6	185
Flame size 110											
S110-2-020M30	2	6	3000		0.6	220	4	0.425*10 ⁻³	4	4.5	158
S110-2-040M30	4	12	3000		1.2	220	5	0.828*10 ⁻³	4	6.2	189
S110-2-050M30	5	15	3000		1.5	220	6	0.915*10 ⁻³	4	7	204
S110-2-060M20	6	18	2000		1.2	220	6	1.111*10 ⁻³	4	7.8	217
Flame size 130											
S130-2-040M25	4	13	2500		1	220	4	1.101*10 ⁻³	4	6.5	165
S130-2-050M20	5	15	2000		1	220	5	1.333*10 ⁻³	4	7.3	173
S130-2-050M25	5	15	2500		1.3	220	5	1.333*10 ⁻³	4	7.3	173
S130-2-060M25	6	18	2500		1.5	220	6	1.544*10 ⁻³	4	8	183
S130-2-077M20	7.7	23.1	2500		1.6	220	6	2.017*10 ⁻³	4	9.2	197
S130-2-077M25	7.7	23.1	2000		2	220	7.5	2.017*10 ⁻³	4	9.2	197
S130-2-077M30	7.7	23.1	3000		2.4	220	9	2.017*10 ⁻³	4	9.2	197
S130-2-100M15	10	30	1500		1.5	220	6	2.595*10 ⁻³	4	10.8	218
S130-2-100M25	10	30	2500		2.6	220	10	2.595*10 ⁻³	4	10.8	218
S130-2-150M15	15	45	1500		2.3	220	9.5	3.24*10 ⁻³	4	14.4	263
S130-2-150M25	15	45	2500		3.8	220	17	3.24*10 ⁻³	4	14.4	263
Flame size 150											
S150-2-150M25	15	45	2500		3.8	220	16.5	6.15*10 ⁻³	4	19.4	230
S150-2-180M20	18	54	2000		3.6	220	16.5	6.33*10 ⁻³	4	21.2	250
S150-2-230M20	23	69	2000		4.7	220	20.5	8.94*10 ⁻³	4	24.2	280
S150-2-270M20	27	81	2000		5.5	220	20.5	11.19*10 ⁻³	4	27.2	306
Flame size 180											
S180-2-172M15	17.2	43	1500		2.7	220	10.5	3.4*10 ⁻³	4	19.5	226
S180-2-190M15	19	47	1500		3	220	12	3.8*10 ⁻³	4	20.5	232
S180-2-215M20	21.5	53	2000		4.5	220	16	4.7*10 ⁻³	4	22.2	243
S180-2-270M10	27	67	1000		2.9	220	12	6.1*10 ⁻³	4	25.5	262
S180-2-270M15	27	67	1500		4.3	220	16	6.1*10 ⁻³	4	25.5	262
S180-2-350M10	35	70	1000		3.7	220	16	8.6*10 ⁻³	4	30.5	292
S180-2-350M15	35	70	1500		5.5	220	24	8.6*10 ⁻³	4	30.5	292
S180-2-480M15	48	96	1500		7.5	220	32	9.5*10 ⁻³	4	40	346

Dimensional Drawing

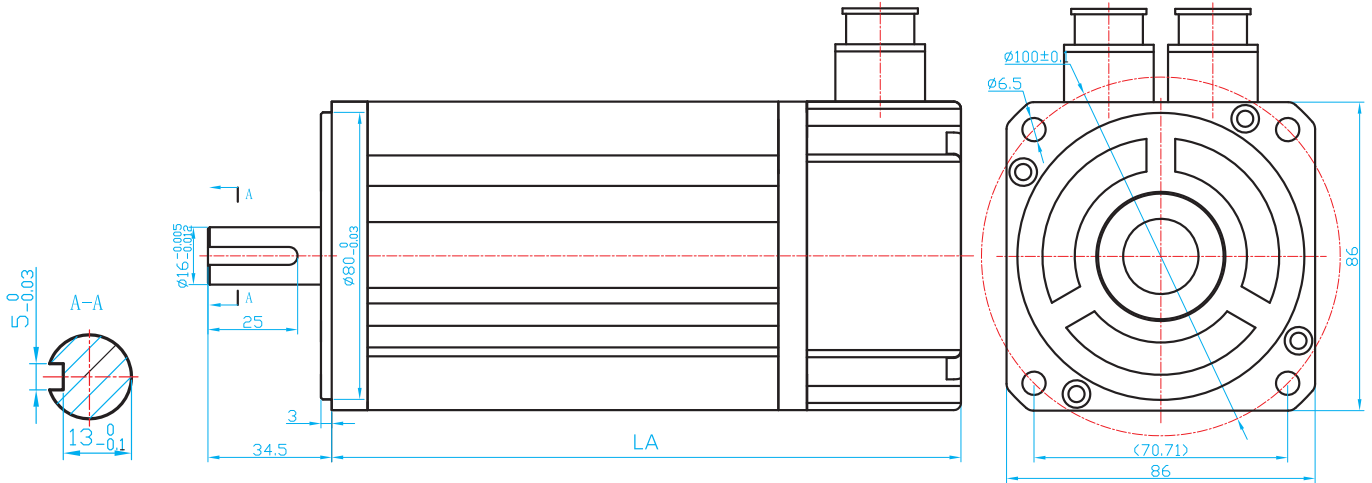
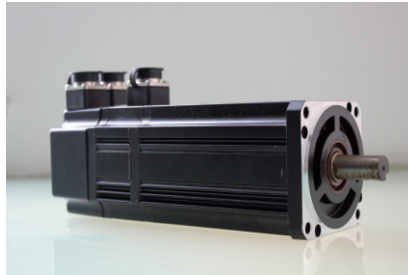
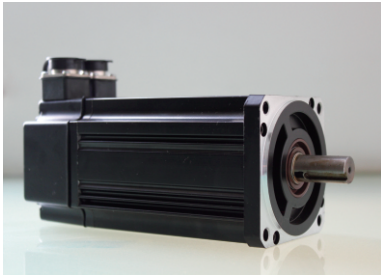
Flame Size 60



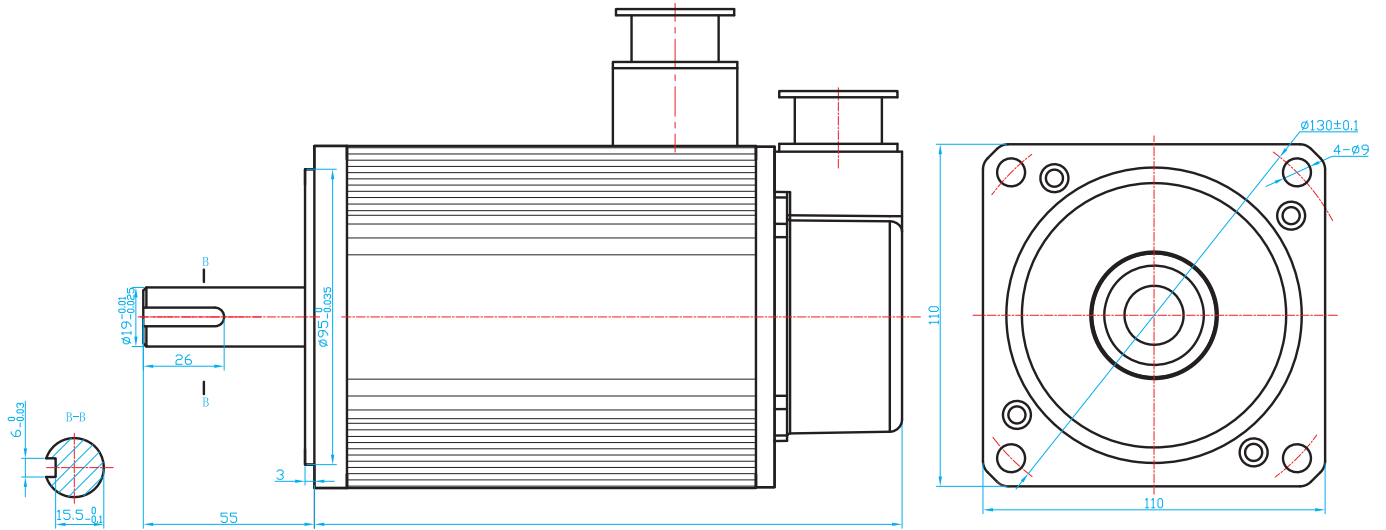
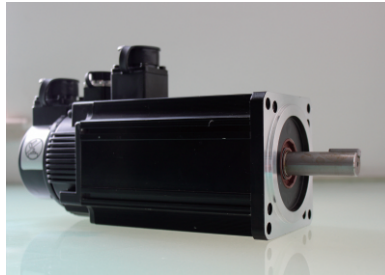
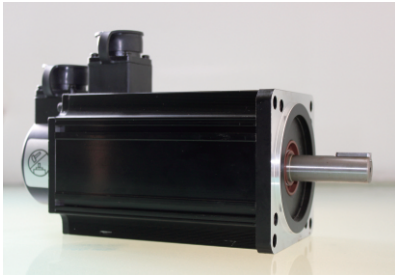
Flame Size 80



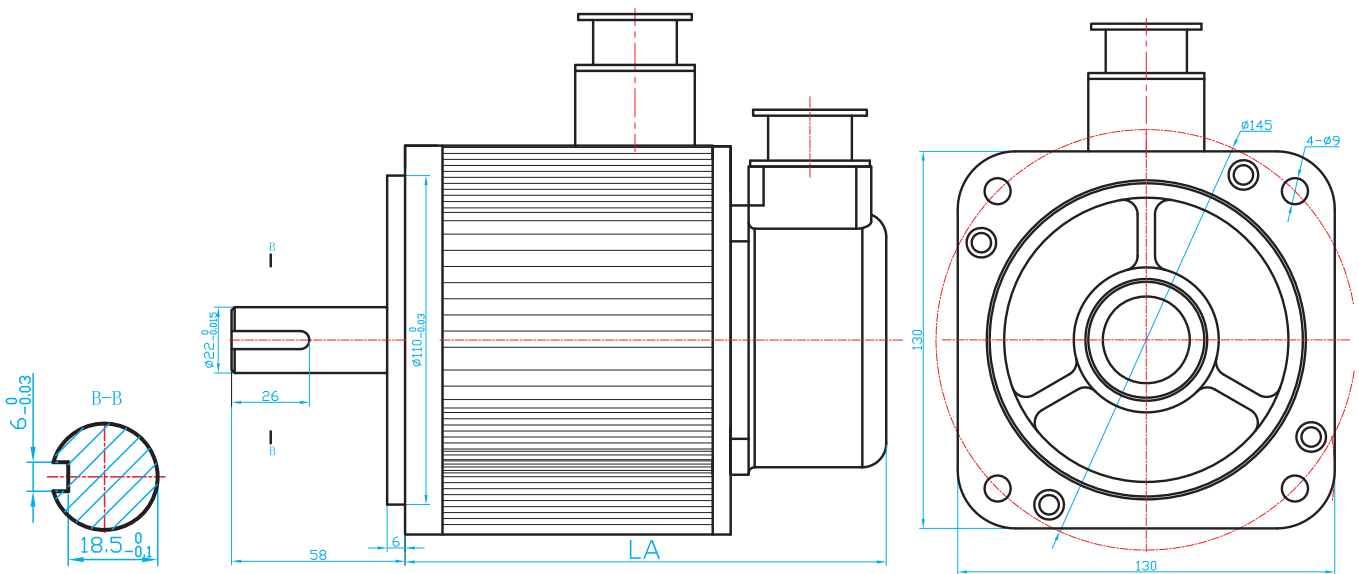
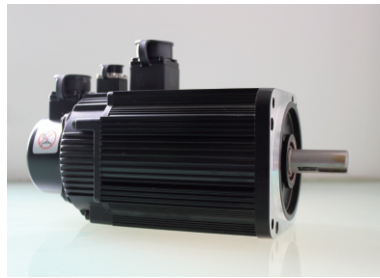
Flame Size 90



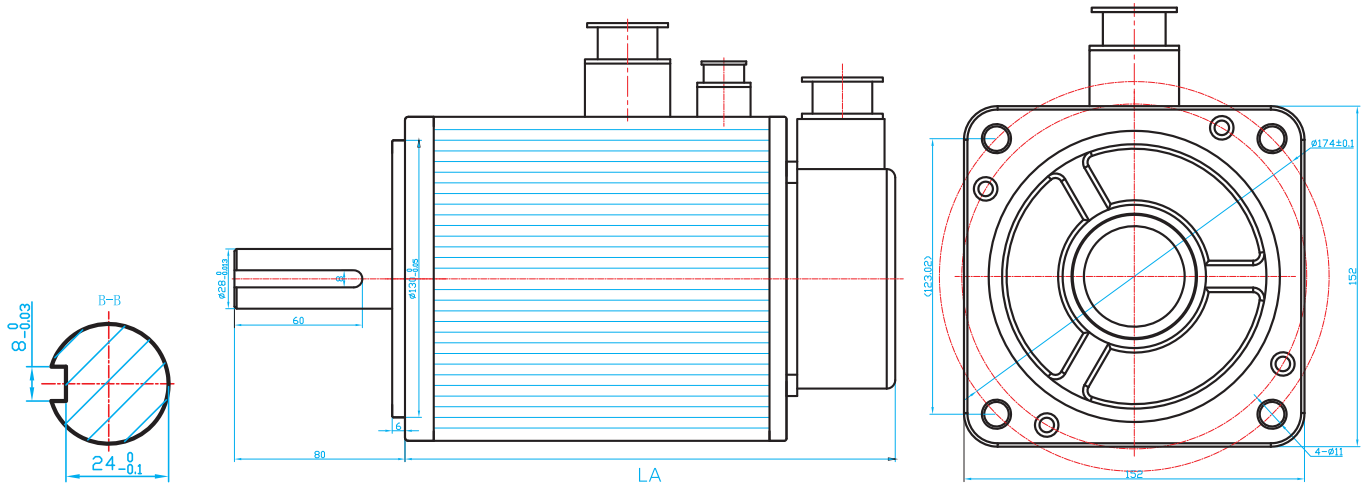
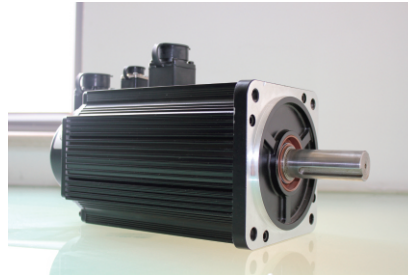
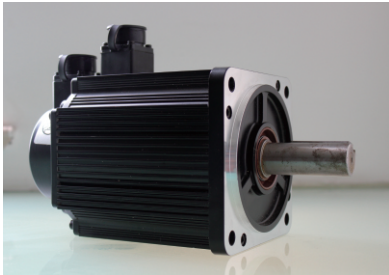
Flame Size 110



Flame Size 130



Flame Size 150



Flame Size 180

